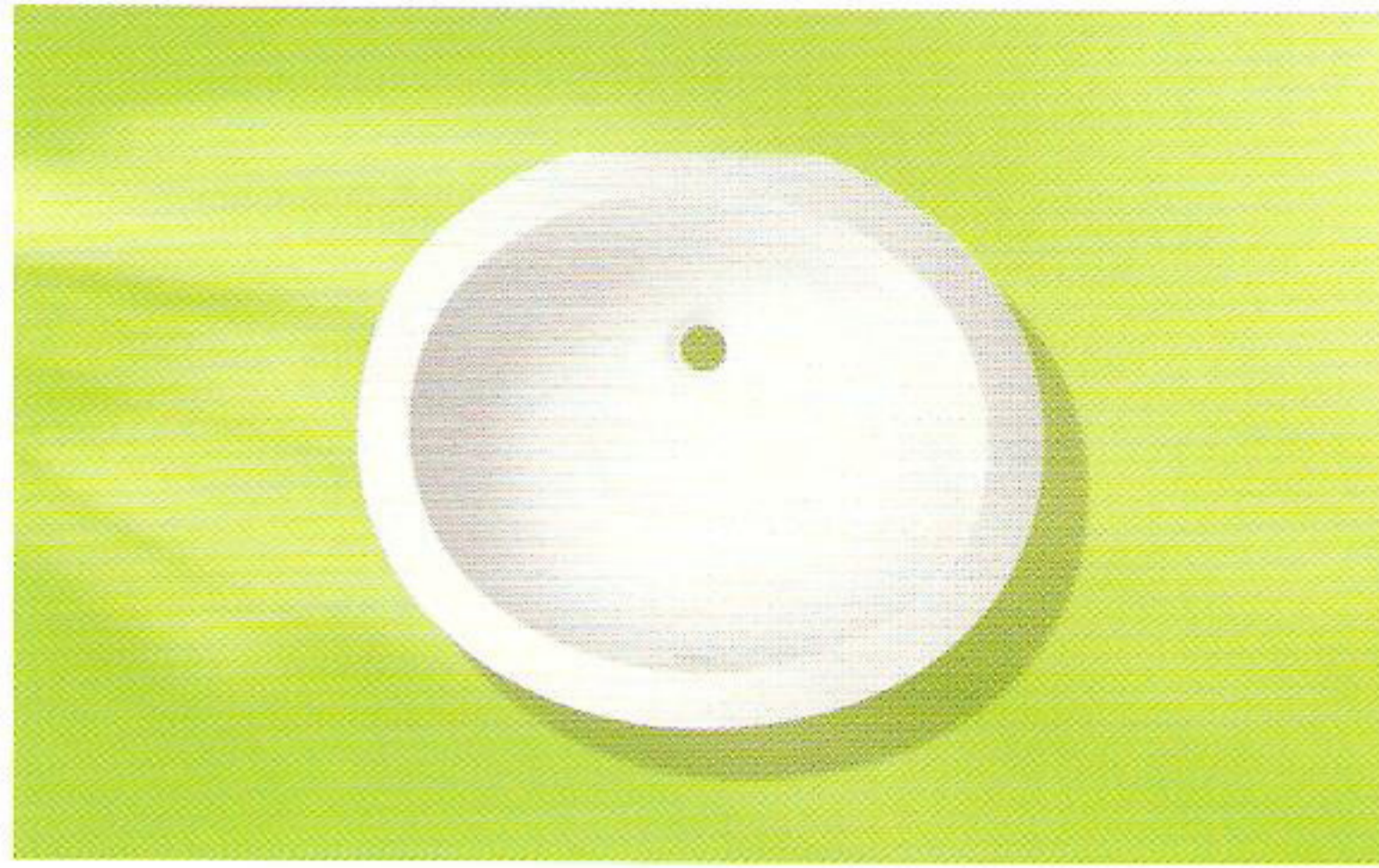




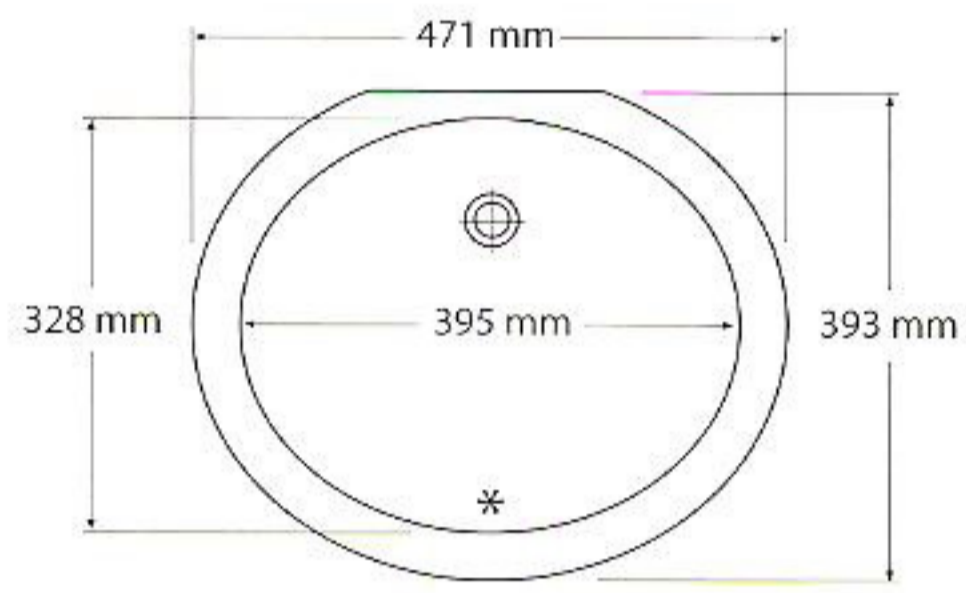
DuPont™ Solid Surfaces
Shapes collection

DuPont™
SOLID SURFACES

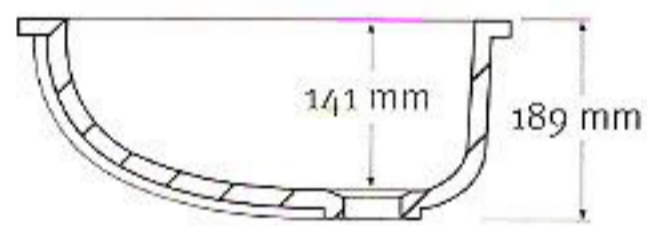
MB 820



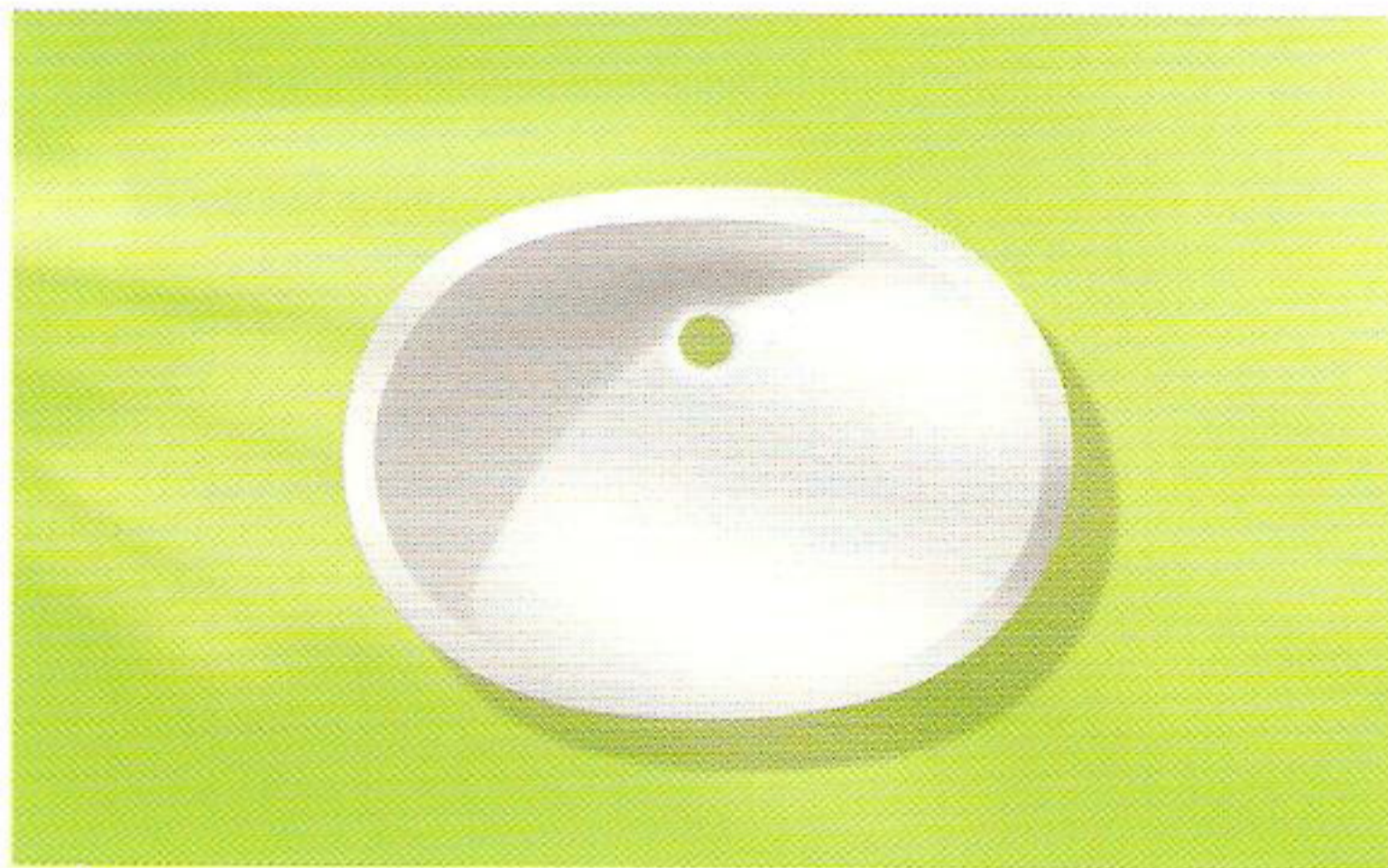
Top view
* integrated overflow



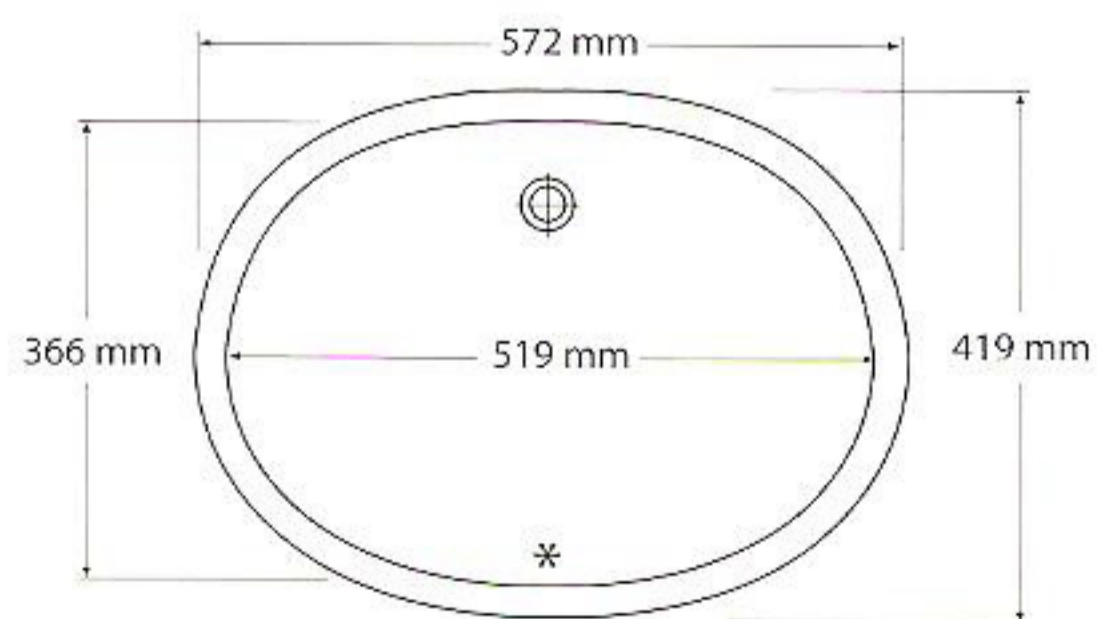
Side cross-section



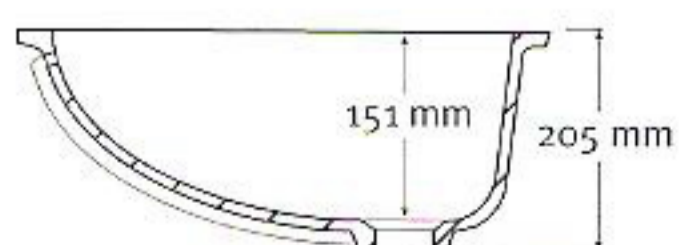
MB 826



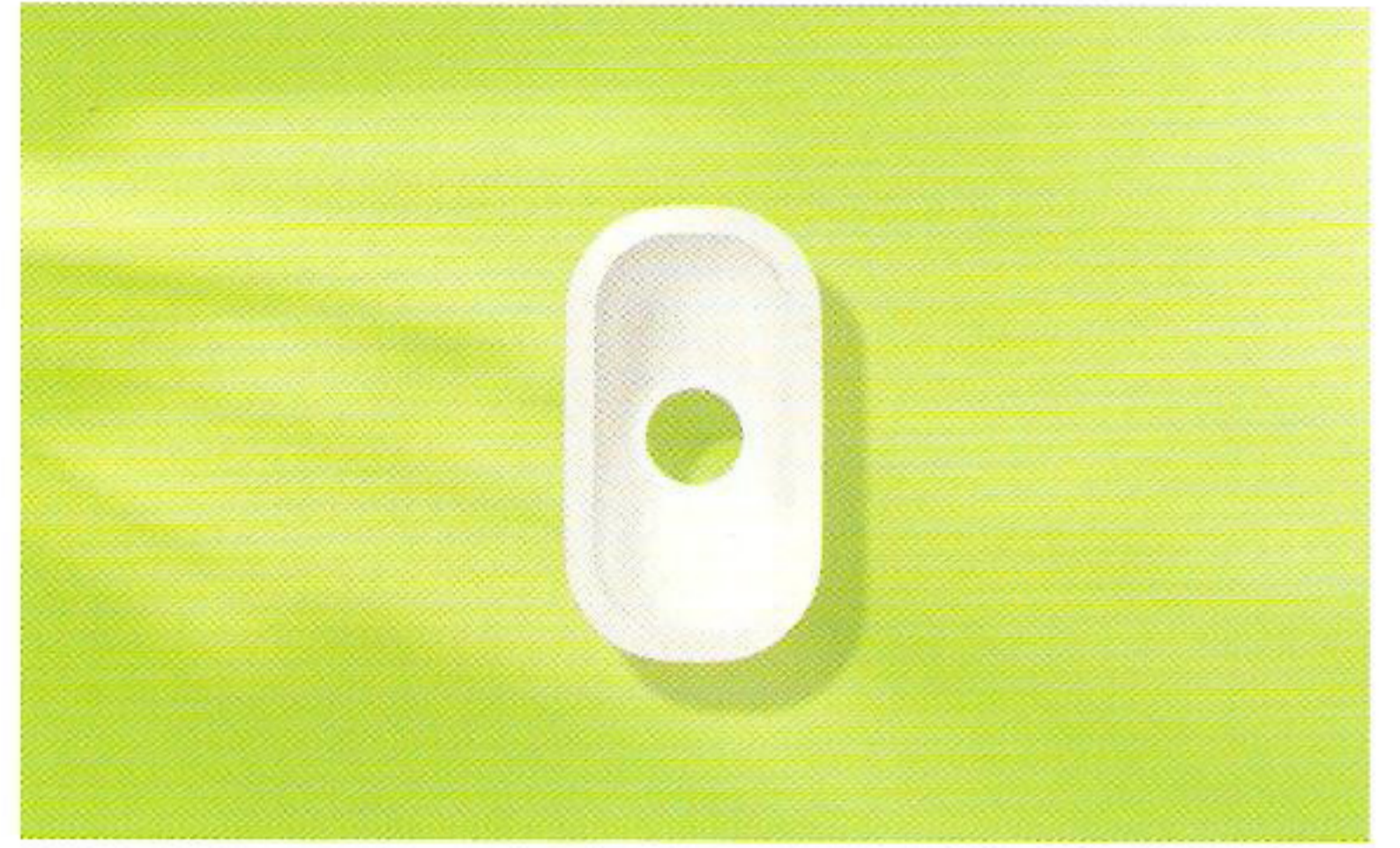
Top view
* integrated overflow



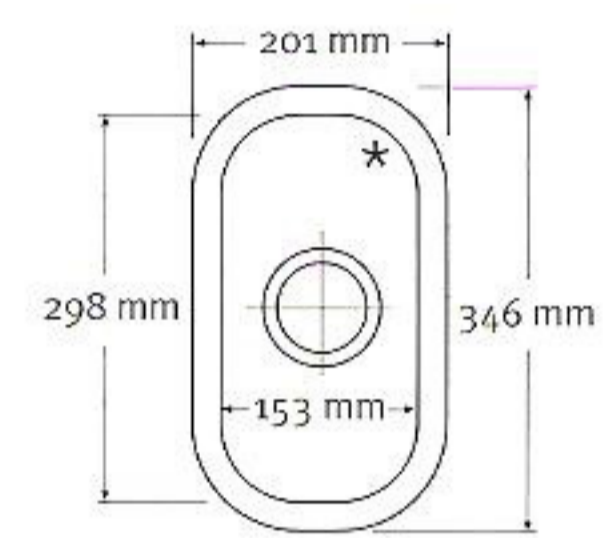
Side cross-section



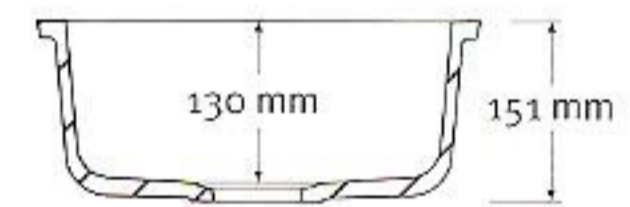
MB 957



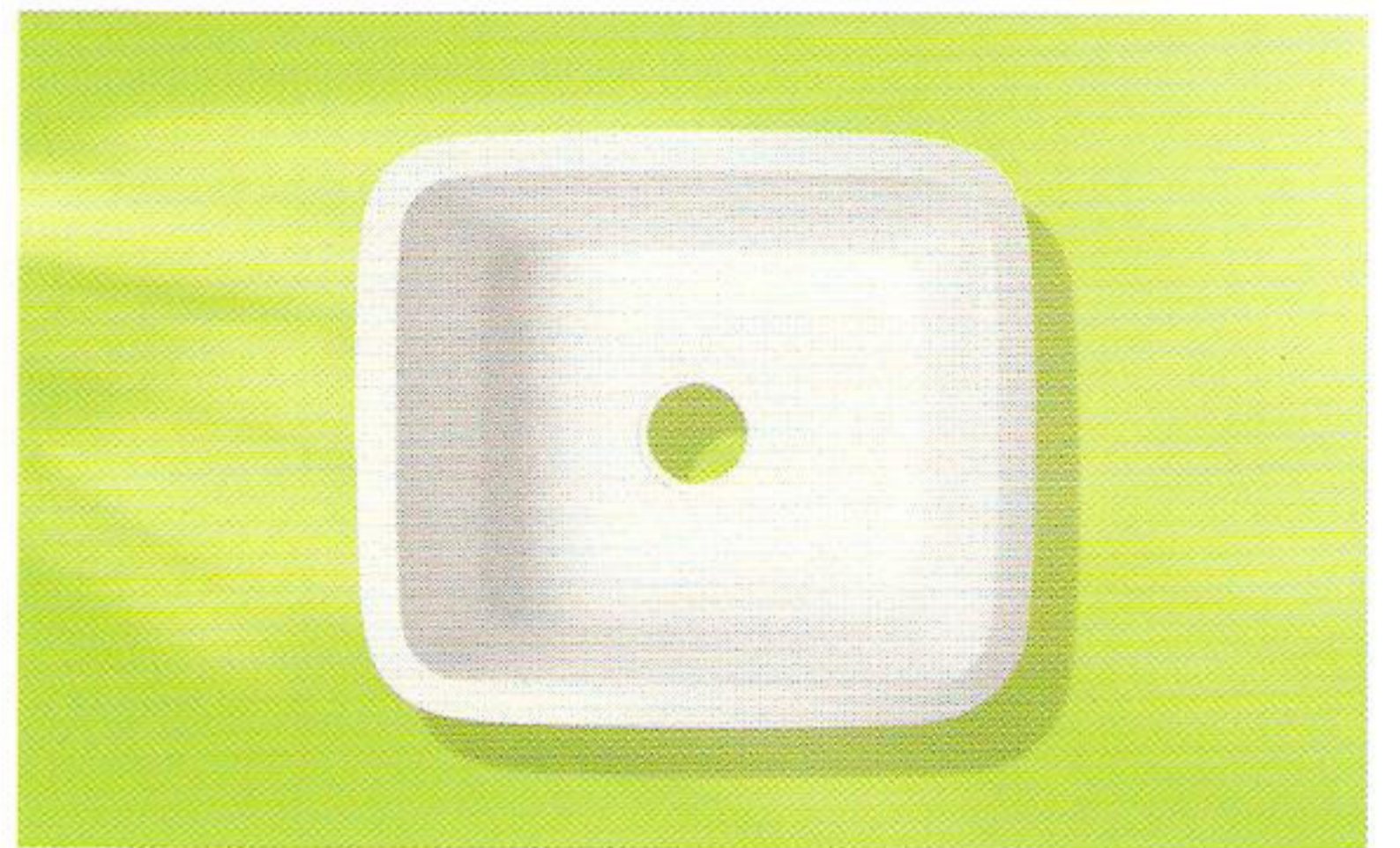
Top view
* overflow



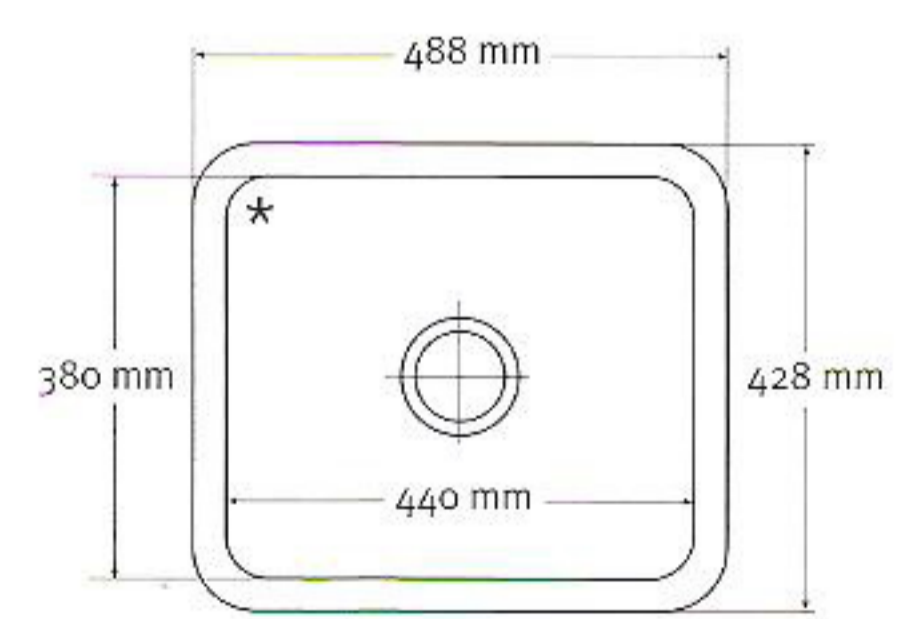
Side cross-section



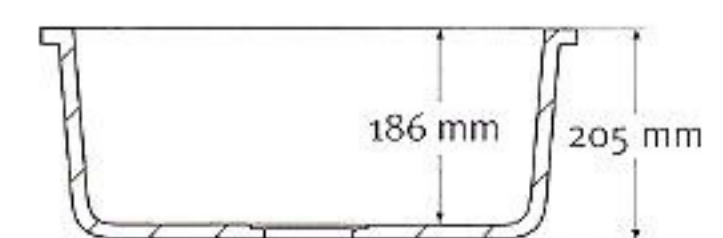
MB 958



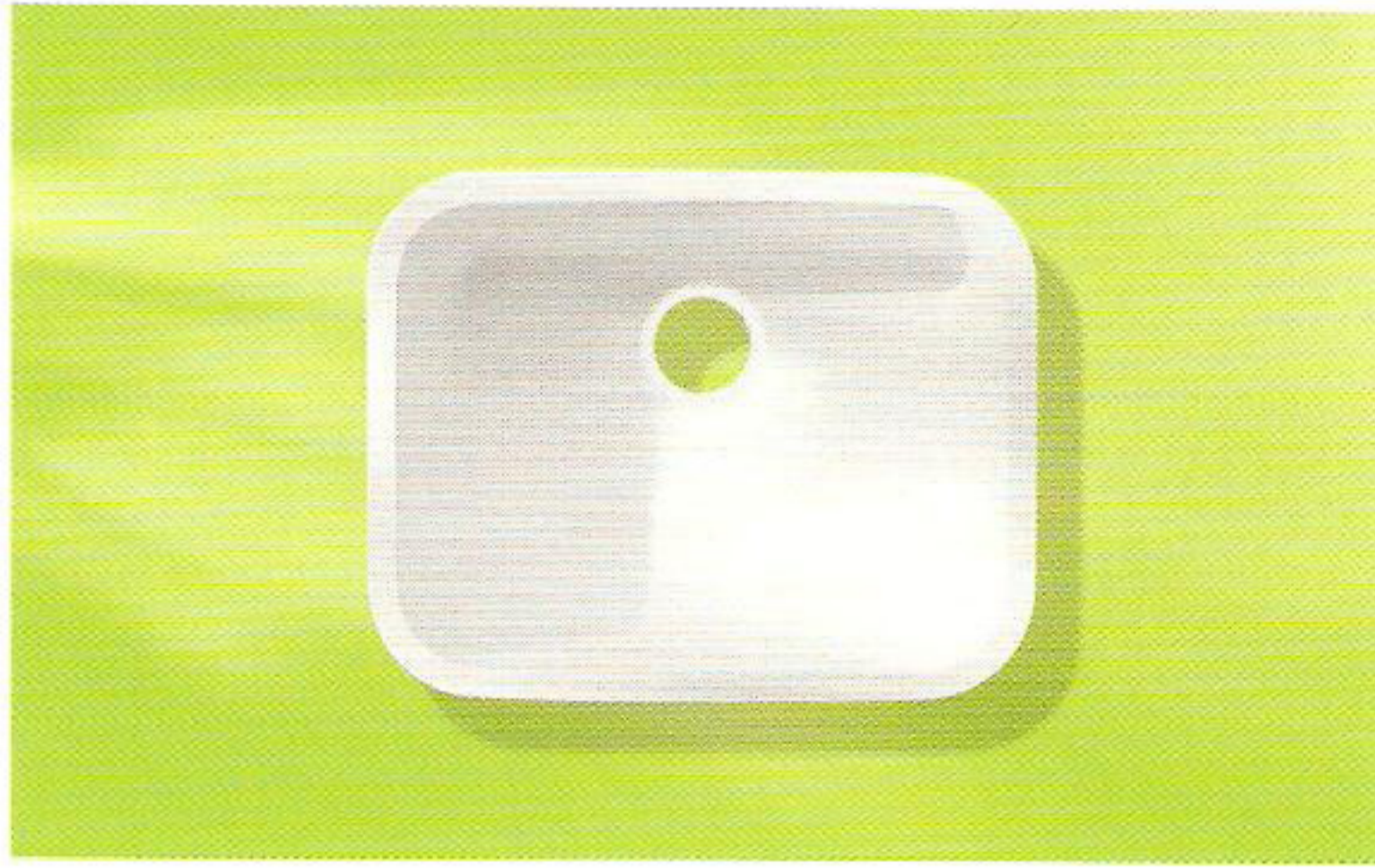
Top view
* overflow



Front cross-section



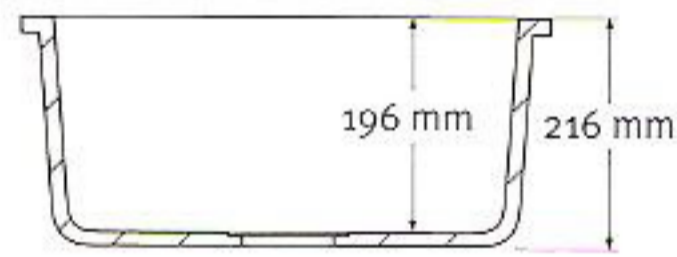
MB 959



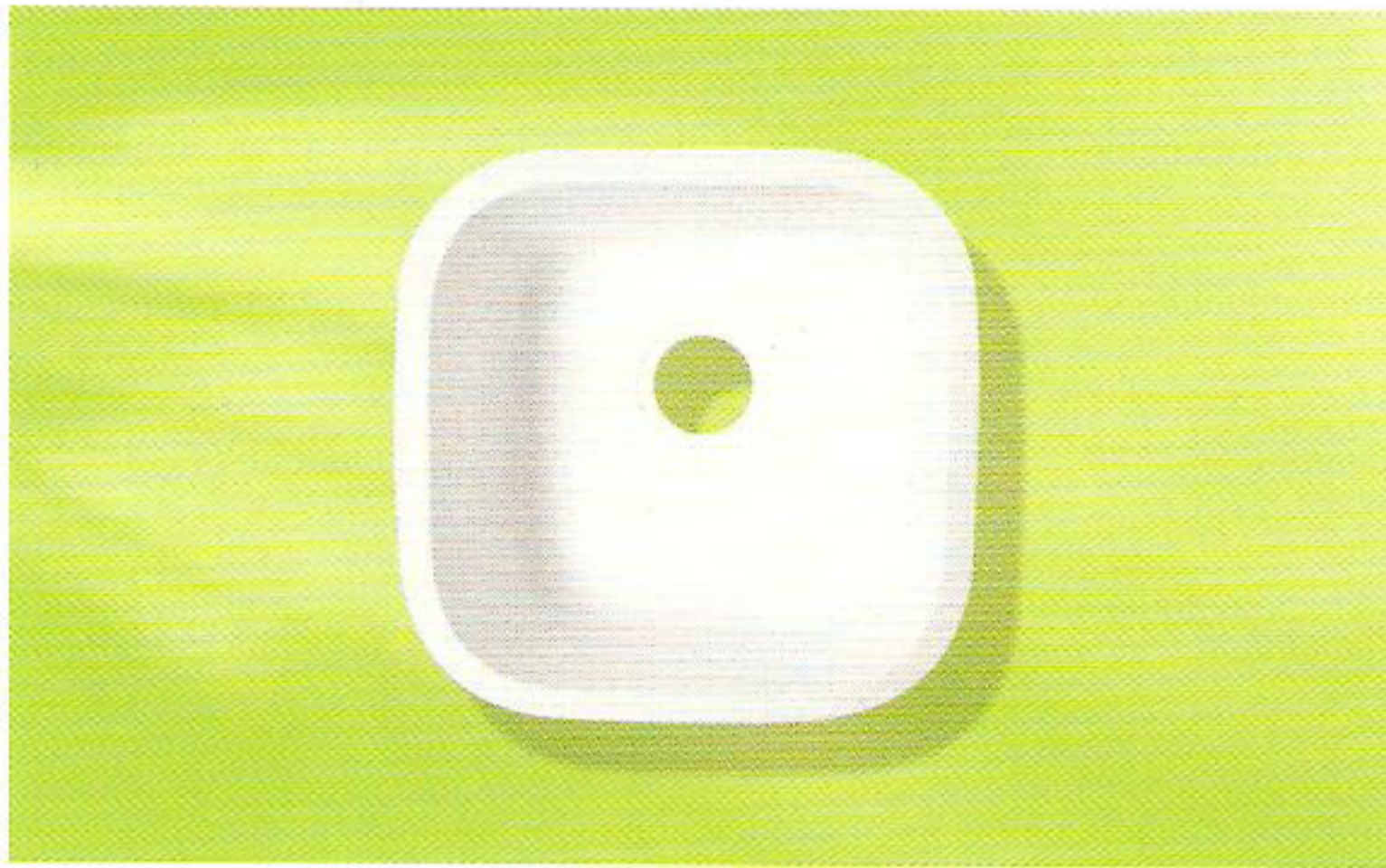
Top view
* overflow



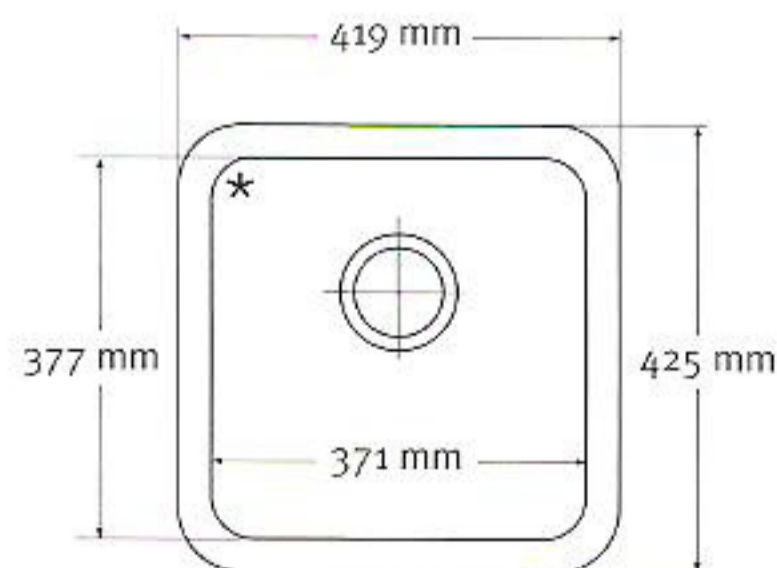
Front cross-section



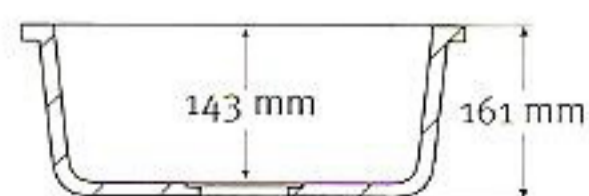
MB 968



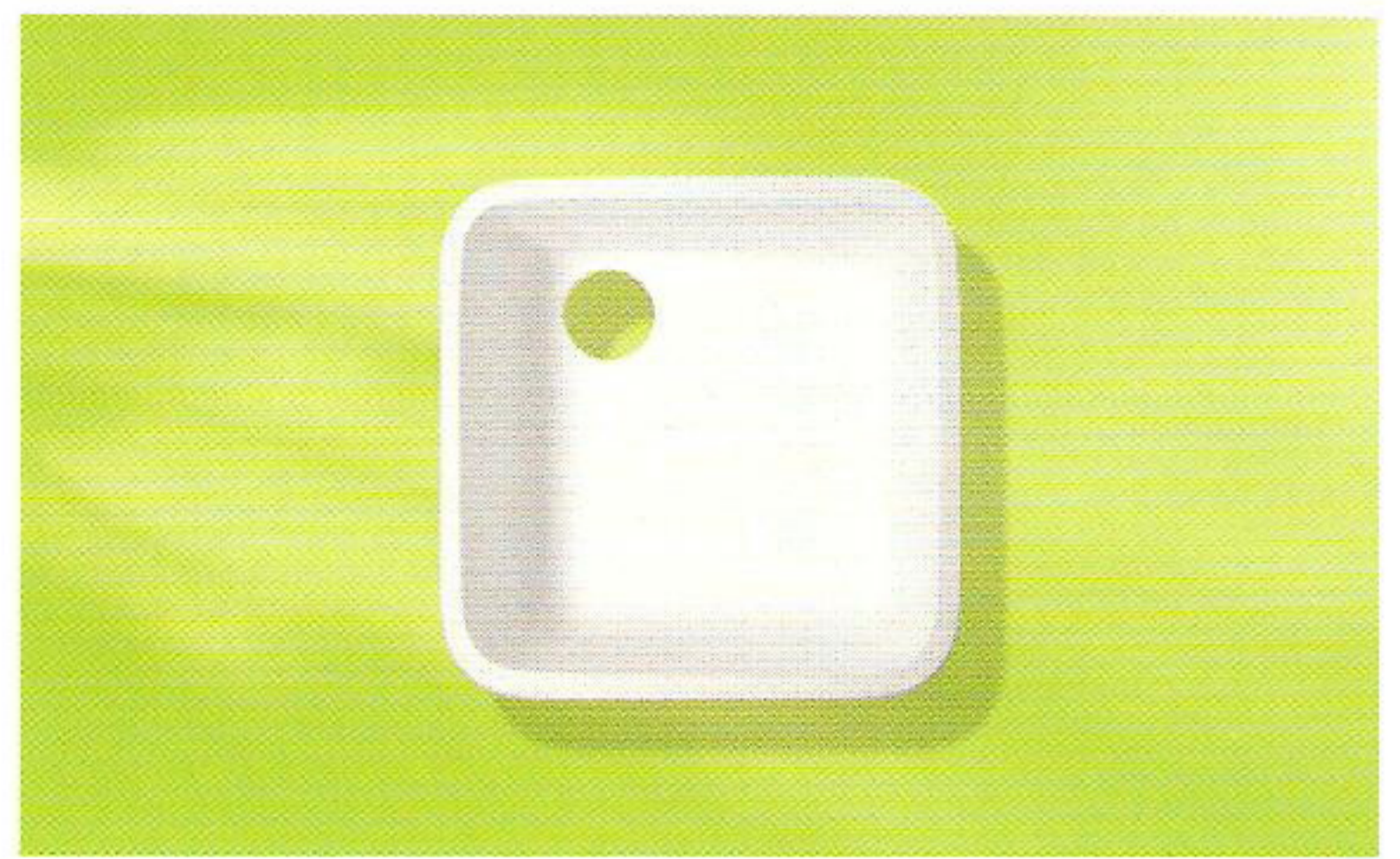
Top view
* overflow



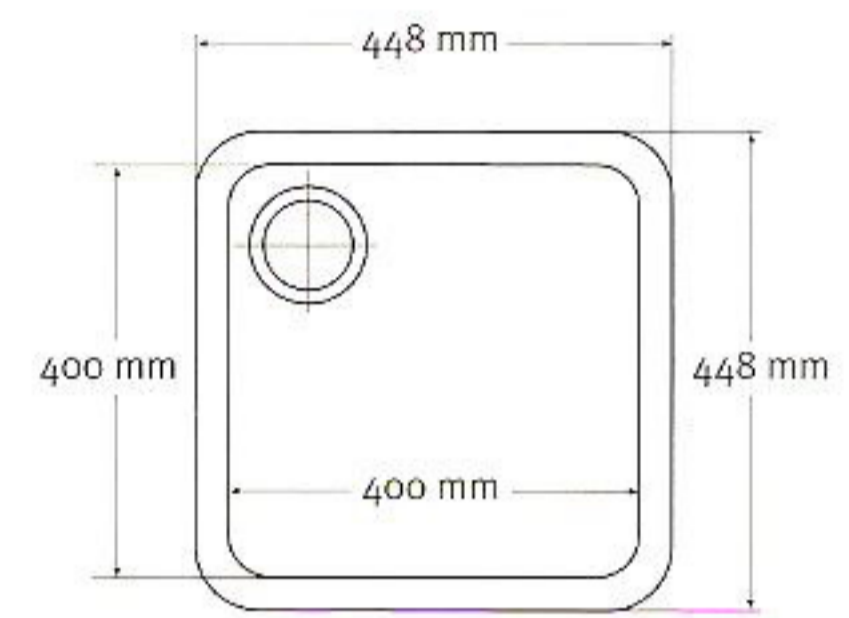
Front cross-section



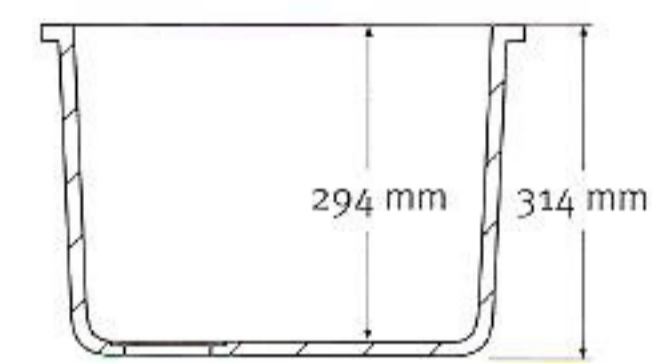
MB 904**



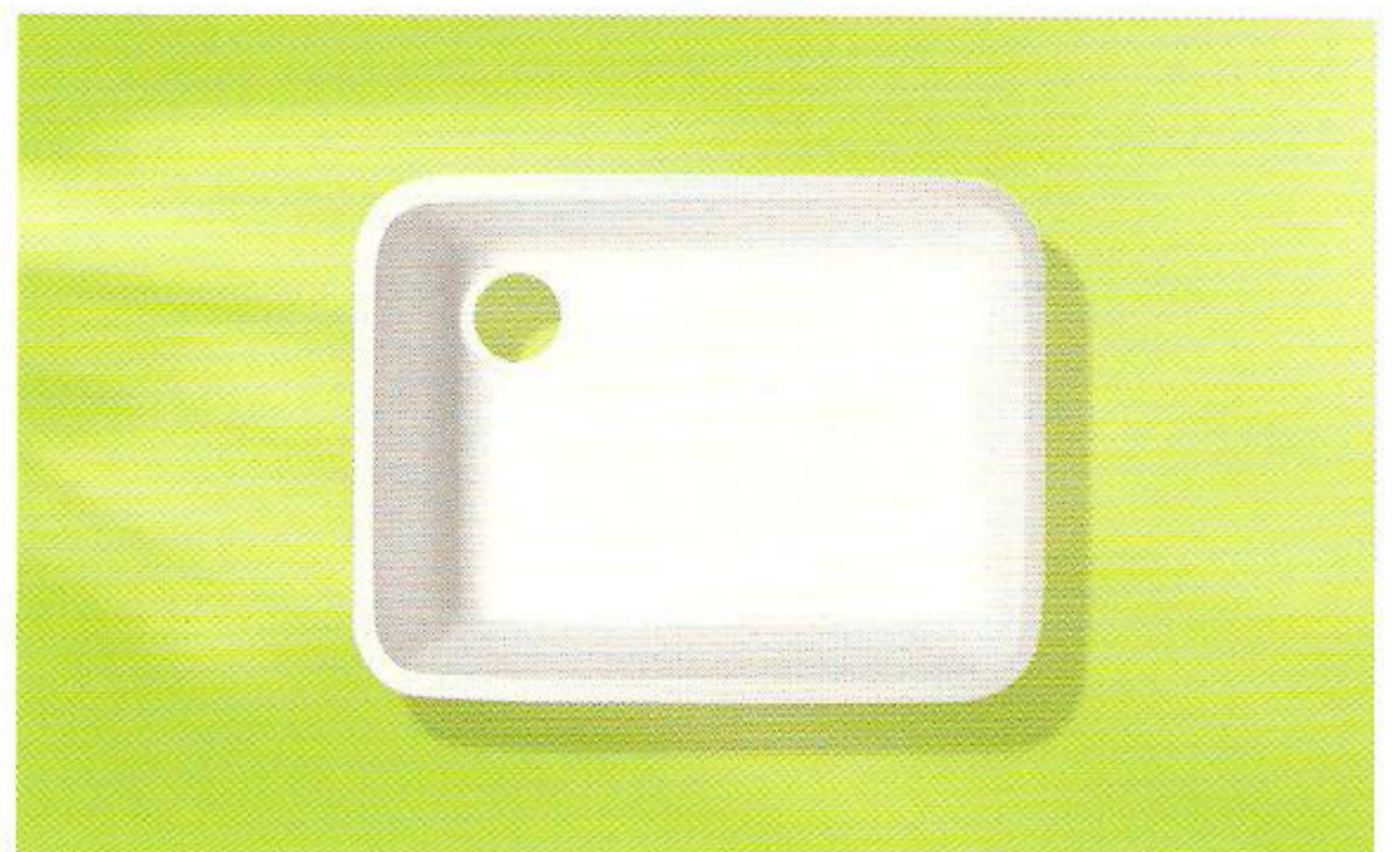
Top view



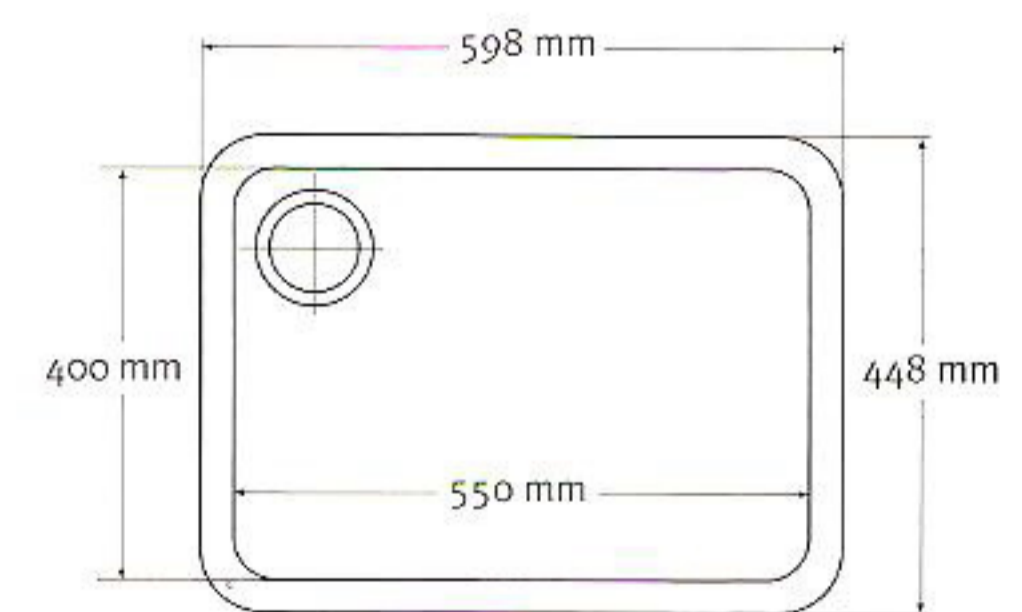
Front cross-section



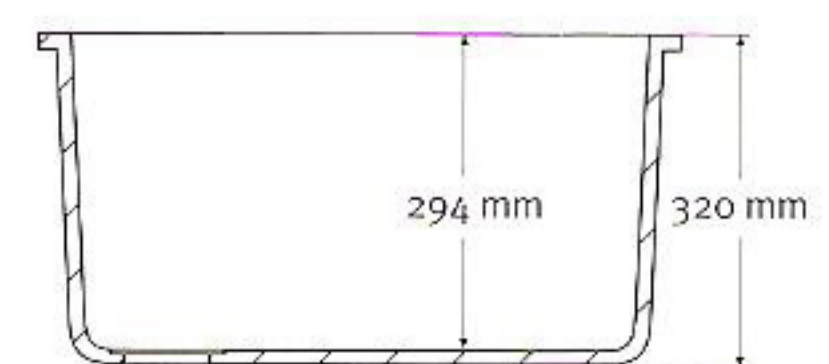
MB 905**



Top view

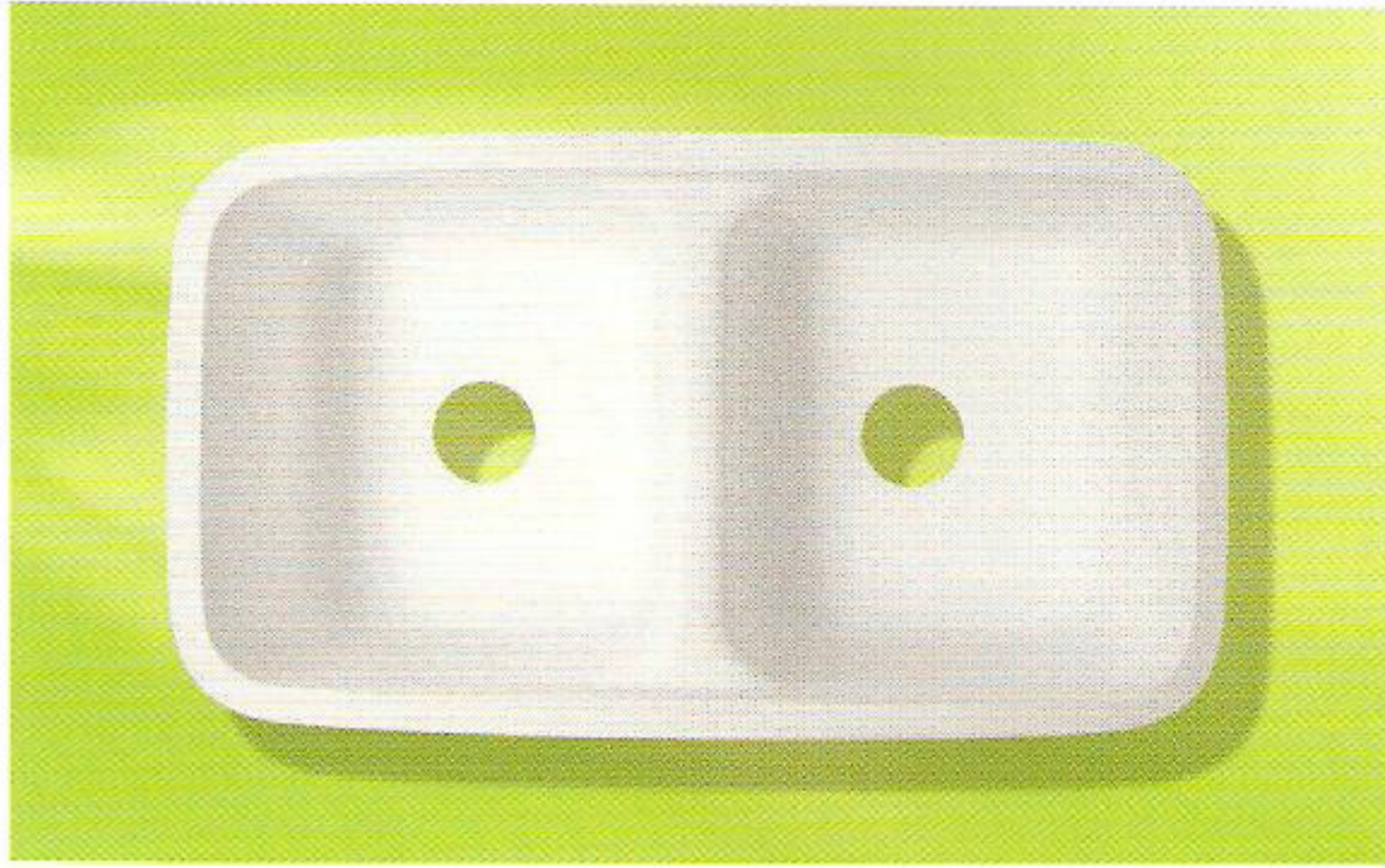


Front cross-section

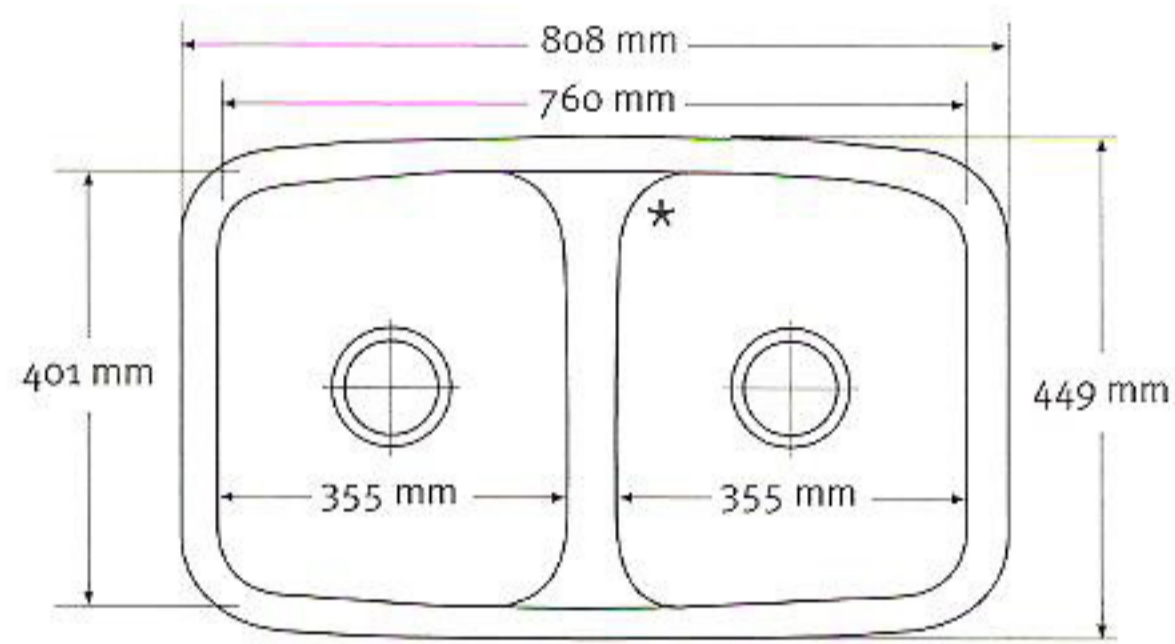


** 904 & 905 sink models are offered without overflow holes and accessories in order to allow use in healthcare applications.

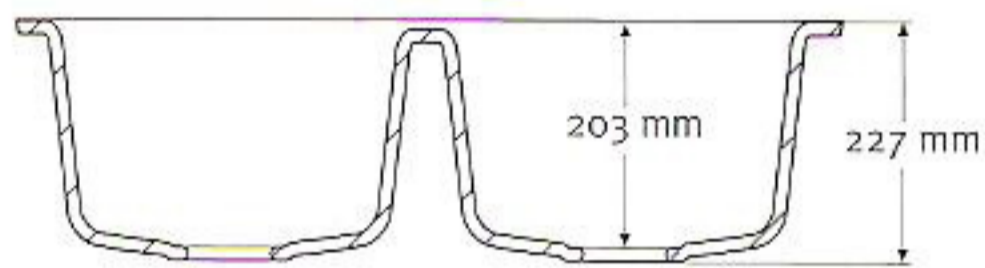
MB 921



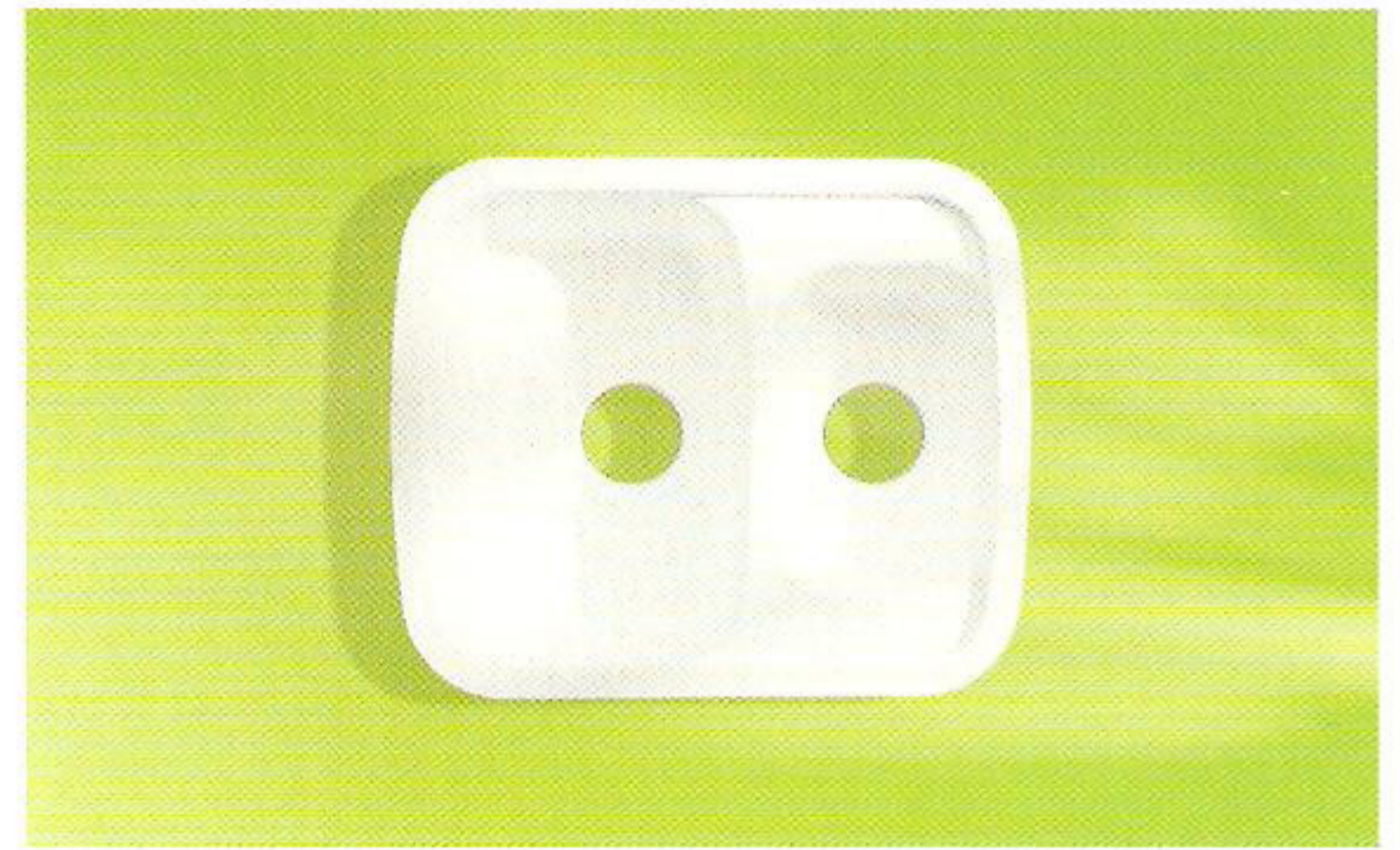
Top view
* overflow



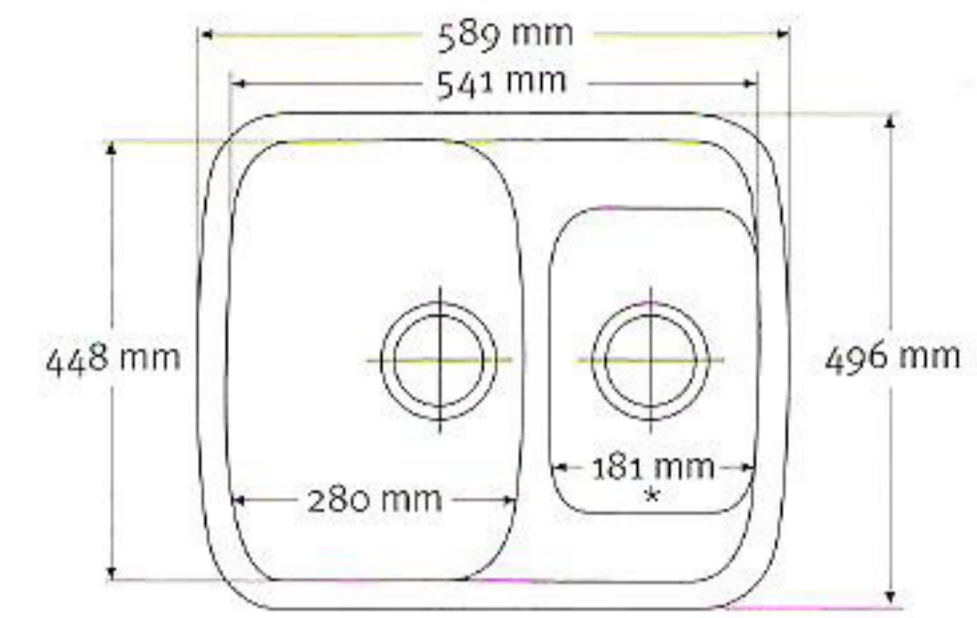
Front cross-section



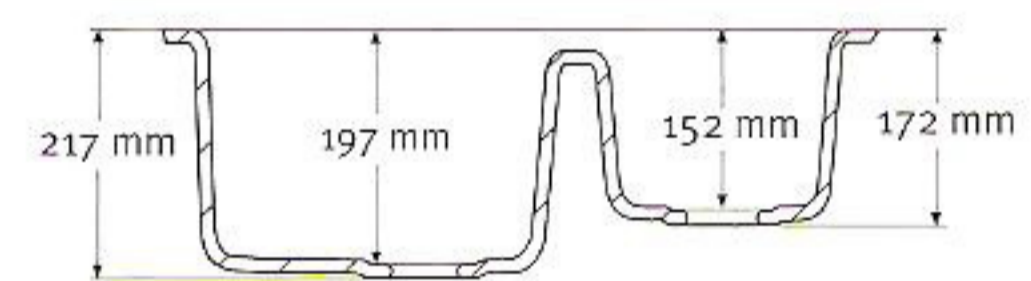
MB 978



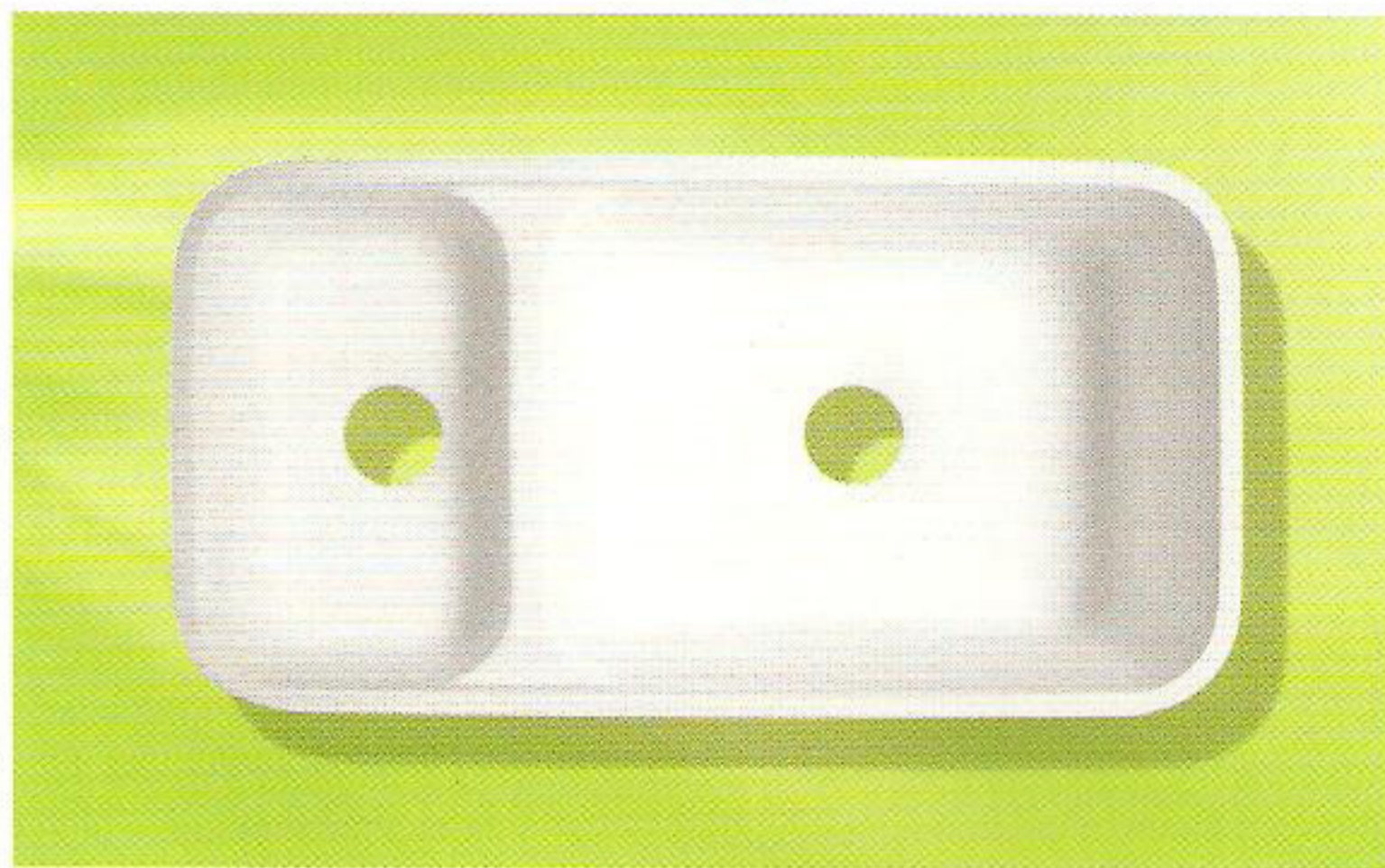
Top view
* overflow



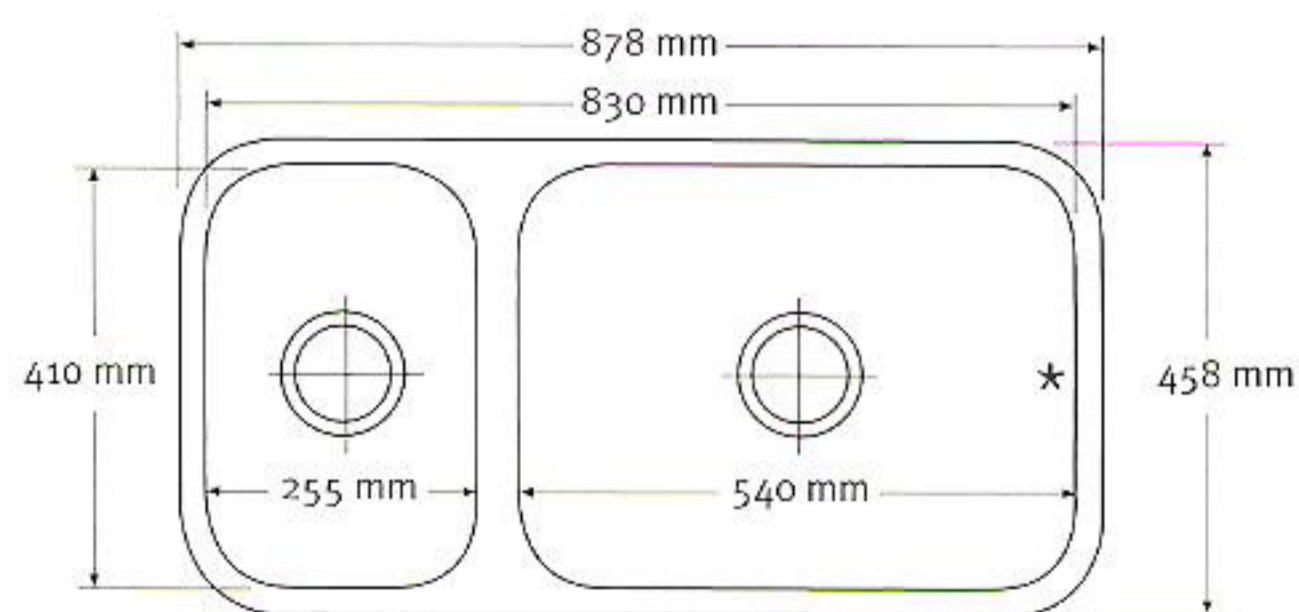
Front cross-section



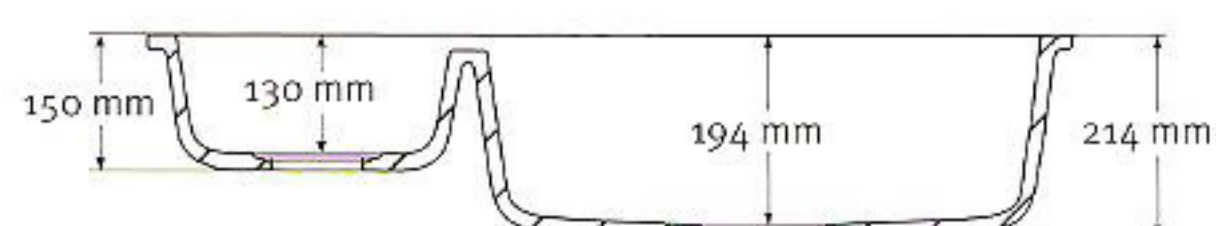
MB 971



Top view
* overflow



Front cross-section



Note on dimensions:

- a tolerance of $\pm 2\%$ should be considered for all shape opening dimensions.
We recommend that the shape is accurately measured before the cut-out in the sheet is made.
- outside length and width values for sinks are based on the flange width of $24 \text{ mm} \pm 2 \text{ mm}$.

Seamless integration

"DuPont™ Solid Surfaces shapes collection offers a comprehensive range of kitchen sinks and washbasins that enable you to create a seamless, flowing design in your kitchen or bathroom.

The sinks and washbasins are integrated into your surface using a seamless under mounting technique, which eliminates open seams that trap germs and dirt, making the entire area very easy to clean and maintain."

Use & Care

"DuPont™ Solid Surfaces shapes are made of proprietary DuPont resin and natural minerals.

Non-porous by nature, they are highly resistant to stains, and easy to clean and care for.

The inherent qualities of DuPont™ Solid Surfaces shapes – including stain-, impact- and thermal-resistance – are tested and approved with reference to ANSI standards for sinks.

For detailed instructions, please ask your DuPont specialist for guidelines on use and care."

Colour option (one colour)

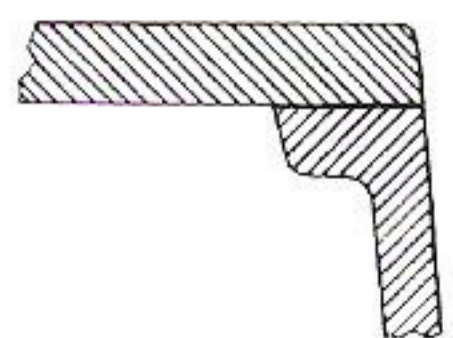
All shapes are available in Natural White colour.



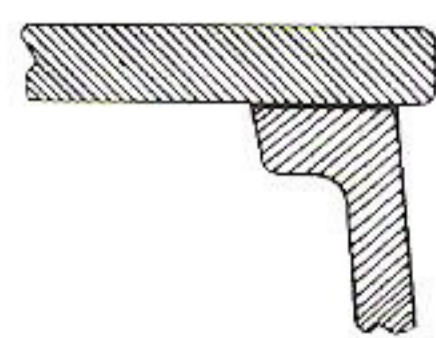
Mounting options

Undermount:

- Seamless



- Classical



Warranty

DuPont™ Solid Surfaces shapes are backed by a 10-Year Limited Product Warranty.



ANSI Z124.6 Test for Sinks

Physical properties	ANSI 124.6-1997	Results
Surface test	3.3	Pass; no crack, chips or porosity
Subsurface test	3.4	Pass; no voids
Point impact load test	4.2.1	Pass; no crack or chips
Knife drop test	4.2.2	Pass; no crack or chips
Load test	4.3	Pass; no crack
Vibration test	4.4	Pass; no fracture
Colour fastness test	5.1	Pass
Stain resistance test	5.2	Pass
Wear & cleanability test	5.3	Pass
Cigarette test	5.4	Pass
Chemical resistance test	5.5	Pass
Heated pan test	5.6	Pass
Hot wax test	5.7	Pass
Water resistance test	6.2	Pass
Thermal shock performance	6.1.2	Pass

Tests performed in accordance with ANSI Z124.6-1997

Date of report 11-18-04

Report# 65150904sp2

DuPont™ Solid Surfaces shapes passed tests on Resistance to temperature changes (hydro-thermal shock resistance), performed by LGA Qualitest GmbH in accordance with EN 13310 (for sinks) and prEN 14688 (for washbasins).

For more information about DuPont™ Montelli®, please call:

0800/962 116 (UK), 1800/553 252 (IRL),
 0800/91 72 72 (F), 0800/1810018 (D),
 0800/554614 (CH), 800/876750 (I),
 0800/29 5833 (A), 0800/96 666 (B),
 800/23079 (L), 901/120 089 (E),
 0800/022 35 00 (NL), ++351 227 536 900 (Portugal),
 ++30 22950 44020 (Greece),
 ++46 31 57 6861 (Nordic Countries),
 ++7 495 797 2226 (Russia),
 ++380 50 310 79 19 (Ukraine & Kazakhstan),
 ++40 31 62 04 111 (Romania, Bulgaria & Serbia),
 ++420 257 414 213 (Central & Eastern Europe),
 ++971 4 321 1530 (Pakistan, Middle East, Africa, Malta & Cyprus),
 ++90 212 340 0400 (Turkey, Israel & Central Asia*)

* = Azerbaijan, Turkmenistan, Uzbekistan and Kyrgyzstan



The miracles of science™